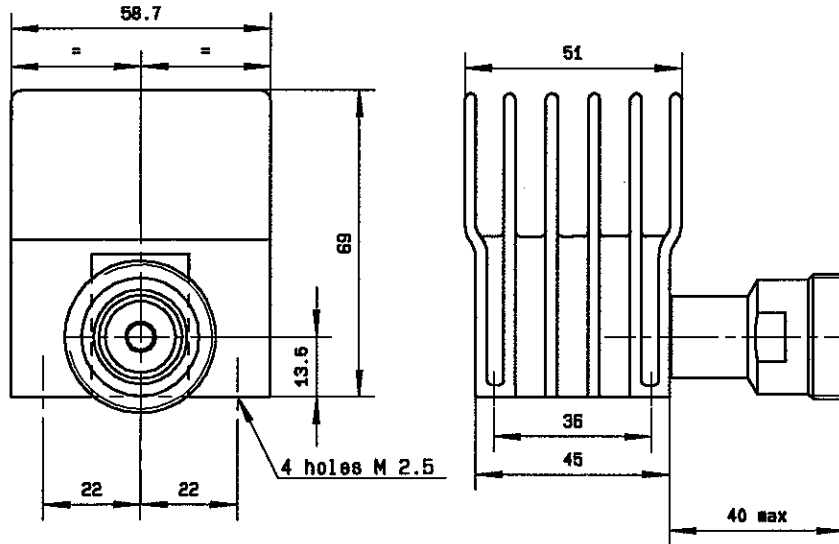




DRAWING



R F CHARACTERISTICS

General tolerances: +/- 0.5 mm

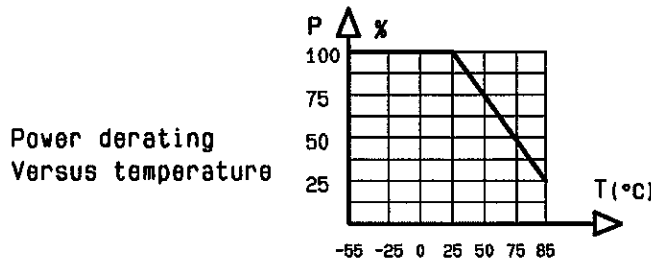
FREQUENCY RANGE	: DC - 2 GHz
IMPEDANCE	: 50 Ohms
DC RESISTANCE	: 50 Ohms ± 5 %
V.S.W.R : DC - 1 GHz	: ≤ 1.10
1 - 2 GHz	: ≤ 1.20
PEAK POWER at 25°C (1µs,1%.)	: 5 kW
AVERAGE POWER at 25°C	: 50 W

MECHANICAL CHARACTERISTICS

CONNECTORS	: 7/16female	per IEC 169-4
WEIGHT	: < 375 g	

ENVIRONMENTAL CHARACTERISTICS

OPERATING TEMPERATURE RANGE	(°C)	: -40 , +85
STORAGE TEMPERATURE RANGE	(°C)	: -40 , +85



This information is given as an indication. In the continual goal to improve our products, we reserve the right to make any modifications judged necessary

CREATION
N° :
PEN/EP:H92016
Name:MG
Date:04.apr.96
APP.:AF

ISSUE	REVISIONS	NAME	APPR.

RADIALL®

101. rue P. Hoffmann -Z.I Ouest-
93116 ROSNY/BOIS Cedex-FRANCE
Phone:33(1)49353535
Fax :33(1)48546363
Tlx RADIA 235220F